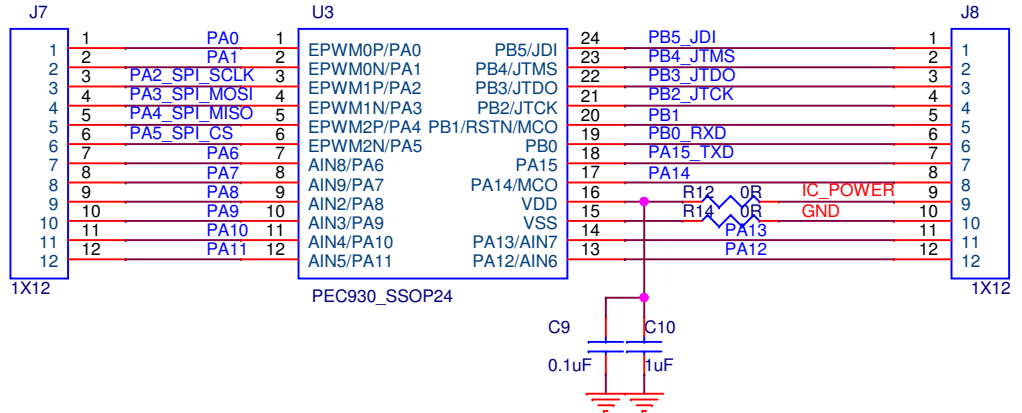
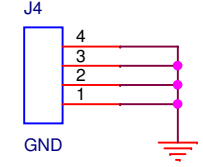
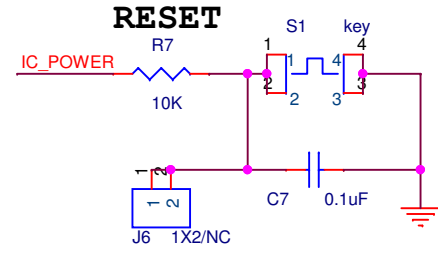
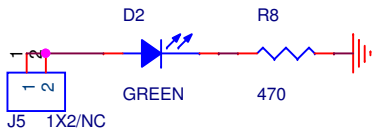
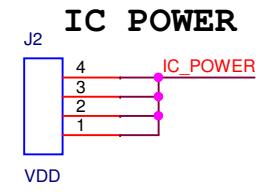
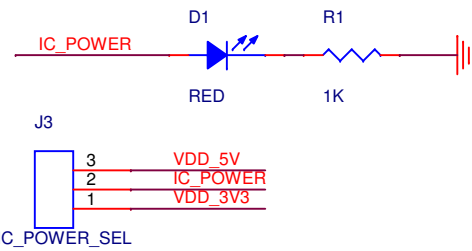
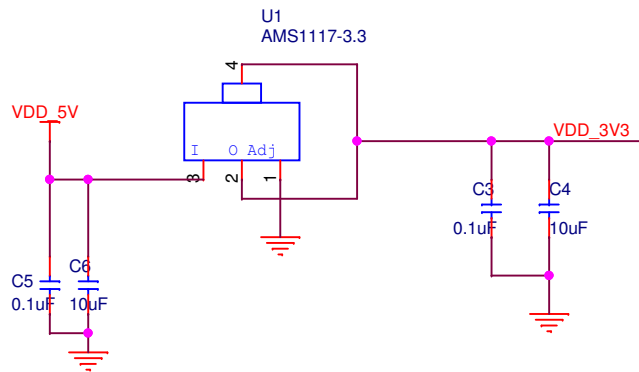
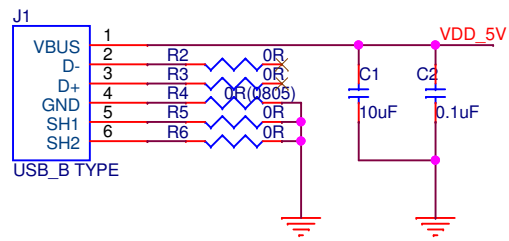
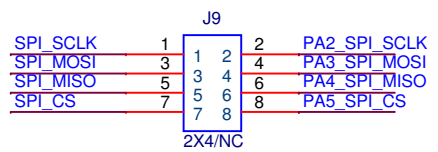
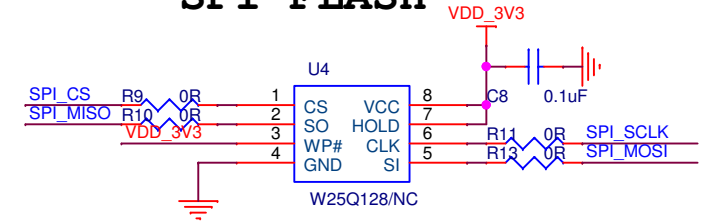


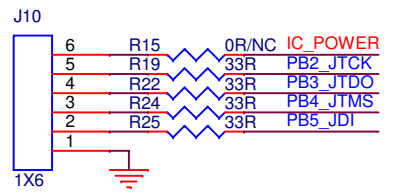
Title		
<Title>		
Size	Document Number	Rev
A	<Doc>	<RevCode>
Date:	Monday, November 24, 2025	Sheet 1 of 2



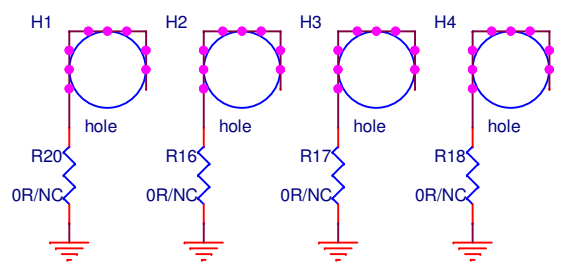
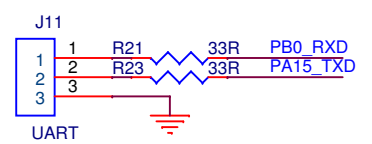
SPI FLASH



JTAG/CJ Interface



UART



Title			<Title>
Size	Document Number		Rev
A4	<Doc>		010
Date:	Monday, November 24, 2025	Sheet	2 of 2